



Load Measuring Shackle Series TNC 500

Capacities 5te to 400te



- ▶ **Stainless Steel Pin**
- ▶ **Crane Weighing**
- ▶ **Cable Tension**
- ▶ **Plate Weighing**
- ▶ **Mast Mooring Tension**
- ▶ **Coil Weighing**
- ▶ **Ship Mooring Tension**
- ▶ **Sealed to IP68**

Technical Data

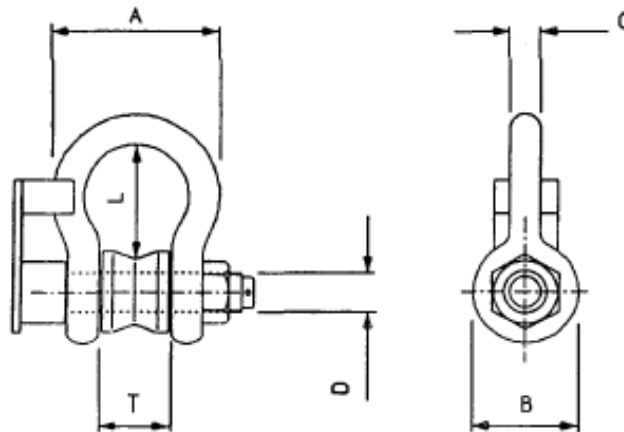


Standard load ranges	te	5, 10, 25, 50, 100, 250
Full load output	mV/V	1.5 nominal
Excitation voltage (recommended) dc or ac	V	10
Excitation voltage (maximum) dc or ac	V	15
Safe service load	%	150
Proof load	%	200
Ultimate load (minimum)	%	500
Non linearity	%	<1.0
Repeatability	%	<0.25
Output at +/- load	%	<+/-2.0
Input resistance	ohms	390+/-20
Output resistance	ohms	350+/-5
Operational temperature range	deg C	-20 to +80
Compensated temperature range	deg C	-10 to +50
Temperature coefficient of zero	%/deg C	+/-0.010
Temperature coefficient of span	% deg C	+/-0.010
Environmental protection		IP 67
Insulation	G ohms	>2 at 100V dc

Note: All percentages related to Full Rated Load

Electrical Connections

Red + input Green + output
Blue - input Yellow - output
Screen not connected to load cell



Capacity(te)	A	B	C	D	L	T
5	120	60	25	30	90	45
10	150	76	32	35	110	50
25	225	106	45	50	170	75
50	325	145	68	70	150	105
100	420	203	92	95	350	130
250	625	305	115	127	475	215

Dimensions in mm. Other ranges available on request.

TNC's policy is one of continuous development and these specifications are subject to change without notice.

