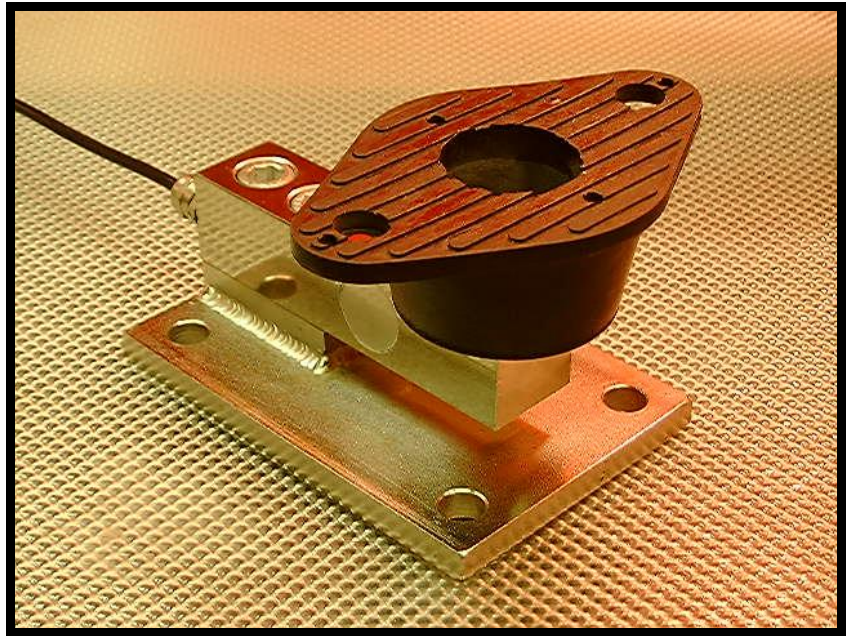


TNC 4500



Shear Beam Load cell Series TNC 4500

Capacities 250 kg to 2000 kg



- ▶ Alloy Steel
- ▶ Temperature Compensated
- ▶ Rationalised Output
- ▶ High Accuracy
- ▶ Sealed to IP66

Technical Data

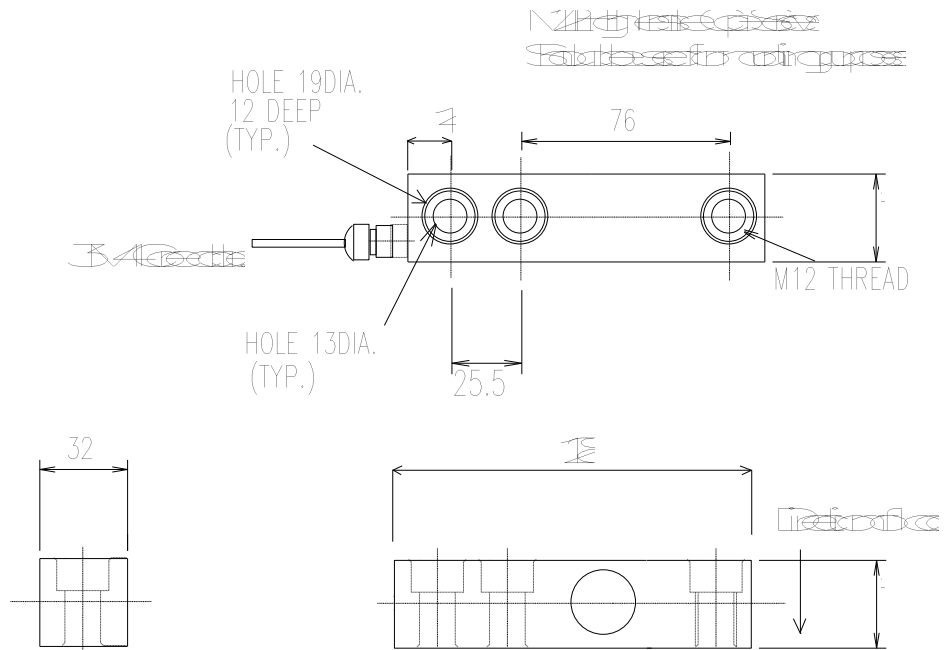


Standard load ranges	Kg	250,500,1000, 1500, 2000
Full load output	mV/V	2.0 (250Kg), 3.0 (+/-0.25%)
Excitation voltage (recommended) dc or ac	V	10
Excitation voltage (maximum) dc or ac	V	18
Safe service load	%	150
Ultimate load	%	300
Combined error (non linearity and hysteresis)	%	+/- 0.04
Repeatability	%	+/- 0.015
Creep after 30 minutes (at 20 degrees C)	%	+/- 0.03
Output at zero load	%	<+/- 1.0
Input resistance	ohms	380 +/- 30
Output resistance	ohms	350 +/- 5
Operational temperature range	degrees C	- 20 to + 80
Compensated temperature range	degrees C	20 to + 75
Temperature coefficient of zero	%/degrees C	+/- 0.003
Temperature coefficient of span	%/degrees C	+/- 0.003
Environmental protection		IP 66
Insulation	G ohms	>2 at 100V dc
Construction	Alloy steel	

Note: All percentages related to Full Rated Load

Electrical Connections

4 Core cable **Red** **Ex +ve** **Green** **Sig +ve**
 Blue **Ex -ve** **Yellow** **Sig -ve**



TNC's policy is one of continuous development and these specifications are subject to change without notice

