



Pressure Transducers Series TNC 2000P

Ranges 5 Bar – 2000 Bar



- ▶ **17/4 PH Stainless steel**
- ▶ **Accuracy of $\pm 0.1\%$ FSO**
- ▶ **High stability**
- ▶ **Customised fittings**
- ▶ **Sealed to IP67**
- ▶ **Two-Year Warranty**

Description:

An advanced, all stainless steel pressure transducer that requires no 'O' rings or welding creating a corrosion resistant instrument which is reliable and long lasting.

TNC 2000P

Technical Data



Output Signal	2.0 mV/V Nominal
Bridge Resistance	350 +/- 1 %
Zero Balance	+/- 1 % FSO
Non linearity and hysteresis	+/- 0.1% FSO
Operational Temp. Range	-20°C to + 90°C
Compensated Temp. Range	-10°C to + 60°C
Temp. Coefficient of Zero	< +/- 0.005%/ C
Temp. Coefficient of Span	< +/- 0.002%/ C
Pressure Port	1/4" BSP Female
Environmental protection	IP67
Insulation	>2 G Ohms at 50 Vdc
Pressure Ranges (Bar)	5, 10, 25, 50, 200, 250, 300 350, 500, 1000, 2000
Pressure Media	Fluids and gases compatible with 17-4 PH Stainless Steel
Overpressure	200% of range 250-1000 bar 150% other ranges

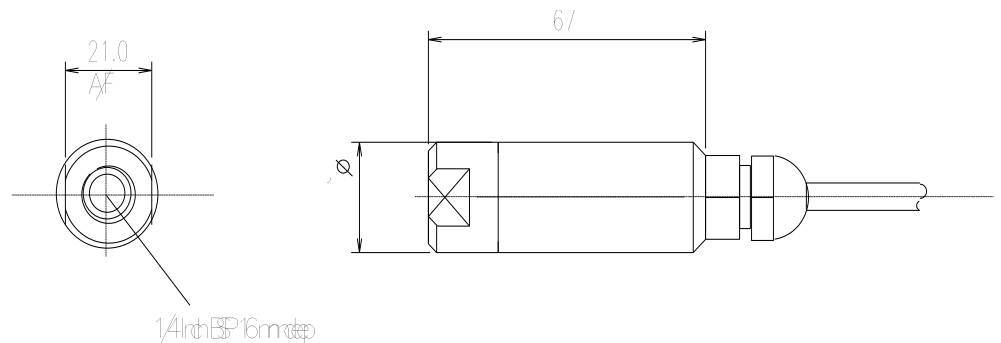
Note: All percentages are related to Full Scale Load

Options Available

Bridge Resistance	1000 or 5000 Ohms
Rationalised Output	1.8 mV/V +/- 0.25 % FSO
Pressure Port	1/2 Inch BSP female, 1/4 Inch BSP Male
High Output	10 mV/V Up to 20 mV/V

Electrical Connections

Red +ve Exc Green +ve Sig
Blue -ve Exc Yellow -ve Sig
Screen O/C



ALL DIMENSIONS IN MM.

TNC's policy is one of continuous development and these specifications are subject to change without notice.



6 CAMPBELL COURT, BRAMLEY, TADLEY, HAMPSHIRE RG26 5EG.
TEL: 01256 881743 FAX: 01256 883463
WWW.TNCELECTRONICS.CO.UK EMAIL: SALES@TNCELECTRONICS.CO.UK