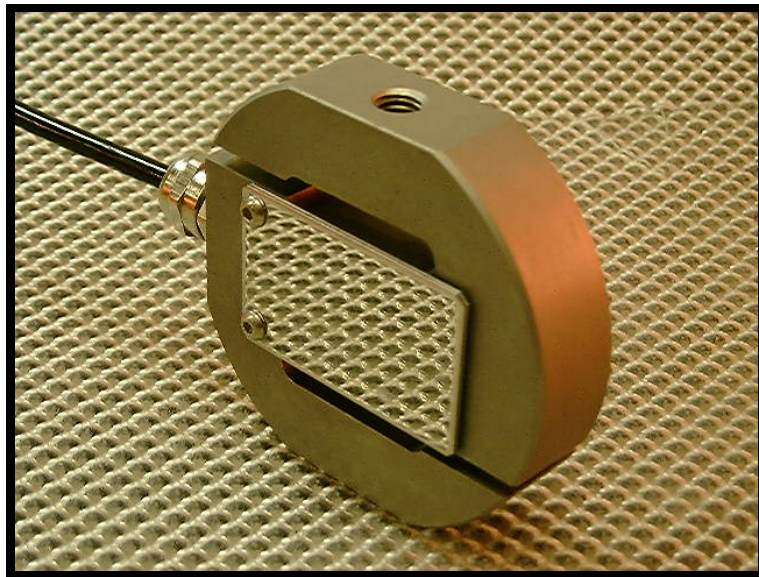


TNC 5000



S – Beam Load Cell Series TNC 5000

CAPACITIES 10 kg to 100 kg



- ▶ **Stainless steel**
- ▶ **Tension /Compression**
- ▶ **Rationalised Output**
- ▶ **High Accuracy**
- ▶ **Sealed to IP67**
- ▶ **Two year guarantee**

 **TNC** *ELECTRONICS Ltd*
STRAIN MEASUREMENT TECHNOLOGY

Creating a pathway to your solution

TNC 5000

Technical Data

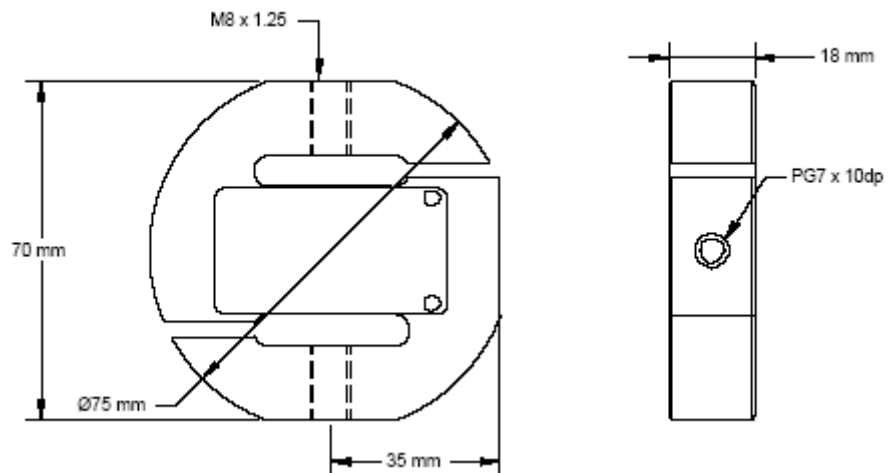
Standard load ranges	kg	10, 25, 50, 100
Full Load output	mV/V	2.0+/-0.25%
Excitation voltage (recommended) dc or ac	V	10
Excitation voltage (maximum) dc or ac	V	15
Safe service load	%	150
Ultimate load	%	300
Combined error (non-linearity & hysteresis)	%	<+/- 0.08%
Repeatability	%	<+/- 0.15%
Output at zero load	%	<+/- 1%FSO
Input resistance	ohms	410 +/-30
Output resistance	ohms	350 +/-10
Creep after 30 minutes (20 deg C)	%	<+/- 0.03%
Operational temperature range	deg C	-10 to +73
Compensated temperature range	deg C	20 to +75
Temperature coefficient of zero	%/C	<+/-0.003
Temperature coefficient of span	%/C	<+/-0.003
Environmental protection		IP67
Cable length standard	m	2
Insulation	M ohms	>500 at 100V.dc

NOTE: All percentages related to Full Rated Load

Electrical Connections

Red + input **Green + output**
Blue - input **Yellow - output**

Screen not connected to load cell



ALL DIMENSIONS IN MM

TNC's policy is one of continuous development and these specifications are subject to change without notice



Creating a pathway to your solution

Unit C3 Acre Business Park, Acre Road, Berkshire RG2 0SA.
Telephone: 0118 9314107 Facsimile: 01189 9314971
www.tncelectronics.co.uk email: sales@tncelectronics.co.uk