

TNC 500



Load Measuring Shackle Series TNC 500

CAPACITIES 5te to 400te



- ▶ **Stainless Steel**
- ▶ **Crane Weighing**
- ▶ **Cable Tension**
- ▶ **Plate Weighing**
- ▶ **Mast Mooring Tension**
- ▶ **Coil Weighing**
- ▶ **Ship Mooring Tension**
- ▶ **Sealed to IP68**

 **TNC** *ELECTRONICS Ltd*

STRAIN MEASUREMENT TECHNOLOGY

Creating a pathway to your solution

Technical Data

Standard load ranges	te	5, 10, 25, 50, 100, 250
Full load output	mV/V	1.5 nominal
Excitation voltage (recommended) dc or ac	V	10
Excitation voltage (maximum) dc or ac	V	15
Safe service load	%	150
Proof load	%	200
Ultimate load (minimum)	%	500
Non linearity	%	<1.0
Repeatability	%	<0.25
Output at zero load	%	<+/-2.0
Input resistance	ohms	390+/-20
Output resistance	ohms	350+/-5
Operational temperature range	deg C	-20 to +80
Compensated temperature range	deg C	-10 to +50
Temperature coefficient of zero	%/deg C	+/-0.010
Temperature coefficient of span	% deg C	+/-0.010
Environmental protection		IP 67
Insulation	G ohms	>2 at 100V dc

Note: All percentages related to Full Rated Load

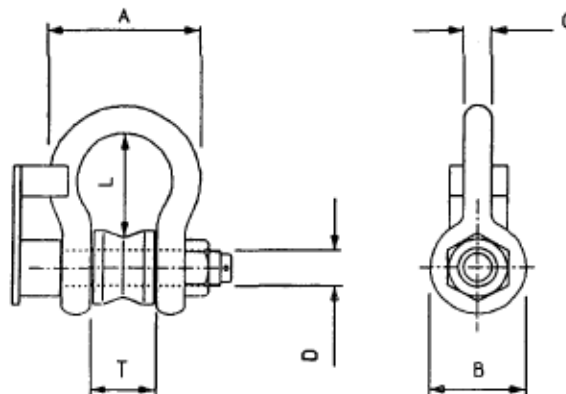
Electrical Connections

Red + input Green + output
Blue - input Yellow - output
Screen not connected to load cell

Capacity(te)	A	B	C	D	L	T
5	120	60	25	30	90	45
10	150	76	32	35	110	50
25	225	106	45	50	170	75
50	325	145	68	70	150	105
100	420	203	92	95	350	130
250	625	305	115	127	475	215

Dimensions in mm.

Other ranges available on request.



TNC's policy is one of continuous development and these specifications are subject to change without notice



Creating a pathway to your solution

Unit C3 Acre Business Park, Acre Road, Berkshire RG2 0SA.
 Telephone: 0118 9314107 Facsimile: 01189 9314971
www.tncelectronics.co.uk email: sales@tncelectronics.co.uk