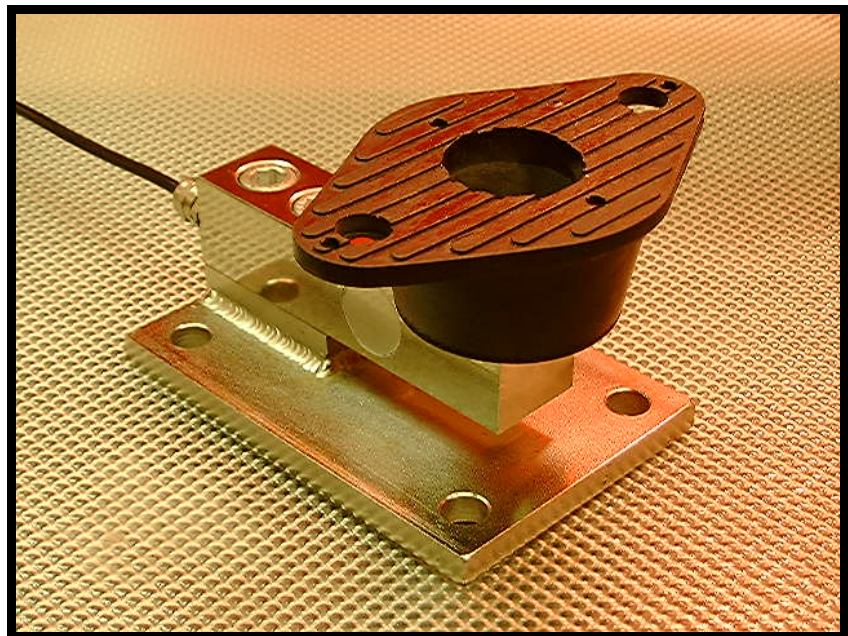


**TNC 4500**



## **Shear Beam Load cell** **Series TNC 4500**

Capacity 250 Kg to 2000 Kg



- ▶ **Alloy Steel**
- ▶ **Temperature Compensated**
- ▶ **Rationalised Output**
- ▶ **High Accuracy**
- ▶ **Sealed to IP66**

 **TNC** *ELECTRONICS Ltd*  
STRAIN MEASUREMENT TECHNOLOGY

**Creating a pathway to your solution**

# TNC 4500

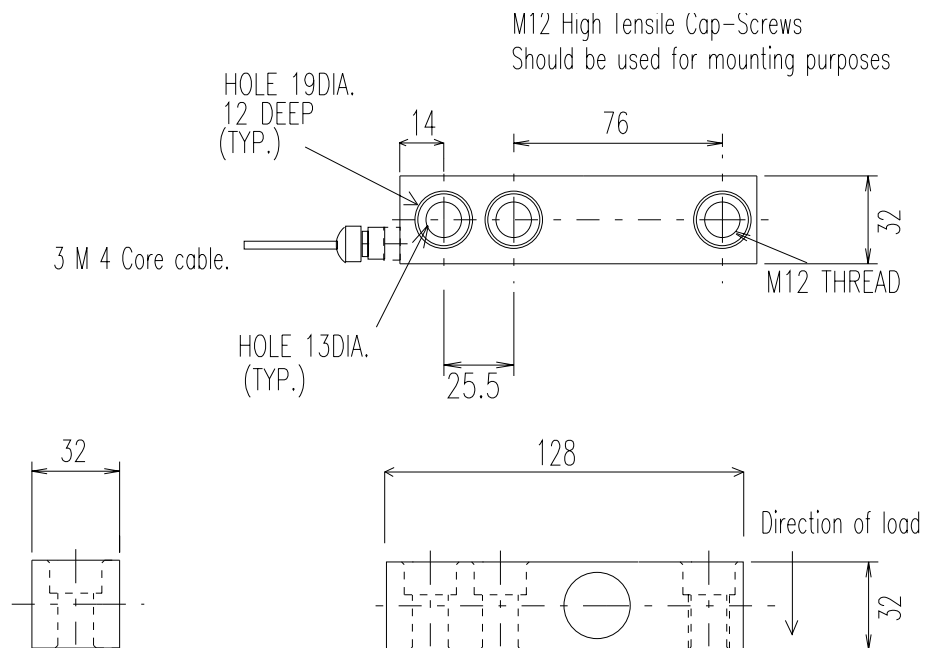
## Technical Data

Standard load ranges	Kg	250,500,1000, 1500, 2000
Full load output	mV/V	2.0 (250Kg), 3.0 (+/-0.25%)
Excitation voltage (recommended) dc or ac	V	10
Excitation voltage (maximum) dc or ac	V	18
Safe service load	%	150
Ultimate load	%	300
Combined error (non linearity and hysteresis)	%	+/- 0.04
Repeatability	%	+/- 0.015
Creep after 30 minutes (at 20 degrees C)	%	+/- 0.03
Output at zero load	%	<+/- 1.0
Input resistance	ohms	380 +/- 30
Output resistance	ohms	350 +/- 5
Operational temperature range	degrees C	- 20 to + 80
Compensated temperature range	degrees C	20 to + 75
Temperature coefficient of zero	%/degrees C	+/- 0.003
Temperature coefficient of span	%/degrees C	+/- 0.003
Environmental protection		IP 66
Insulation	G ohms	>2 at 100V dc
Construction	Alloy steel	

Note: All percentages related to Full Rated Load

## Electrical Connections

**4 Core cable**      **Red Ex +ve**      **Green**      **Sig+ve**  
                                  **Blue Ex -ve**      **Yellow**      **Sig-ve**



ALL DIMENSIONS IN MM

TNC's policy is one of continuous development and these specifications are subject to change without notice



**Creating a pathway to your solution**

Unit C3 Acre Business Park, Acre Road, Berkshire RG2 0SA.  
 Telephone: 0118 9314107 Facsimile: 01189 9314971  
[www.tncelectronics.co.uk](http://www.tncelectronics.co.uk) email: sales@tncelectronics.co.uk