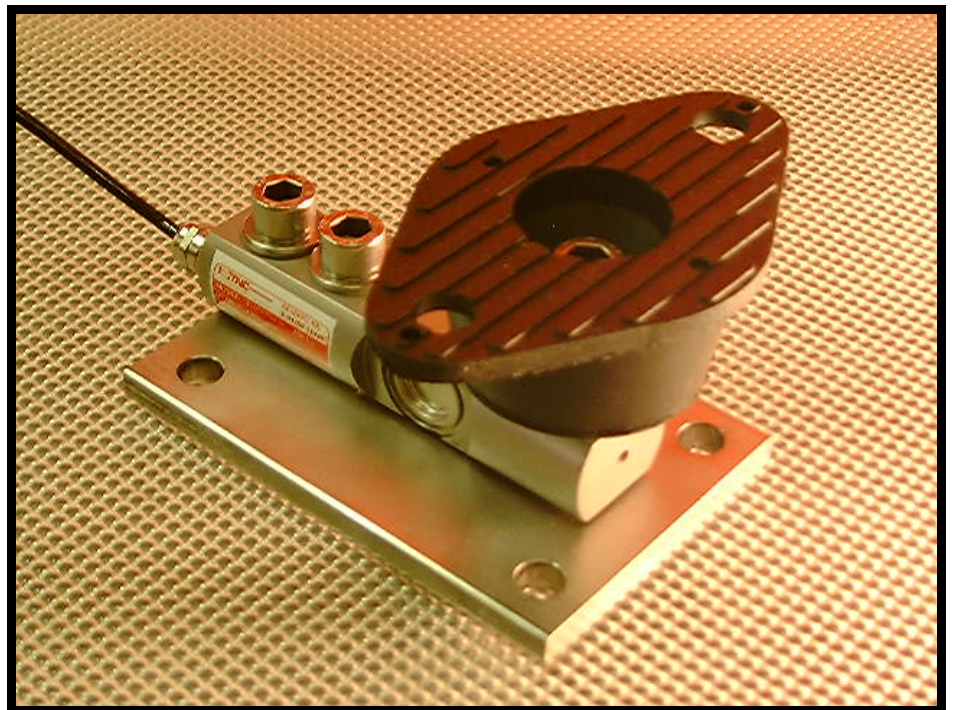


TNC 4000



Shear Beam Load cell **Series TNC 4000**

Capacity 250 kg to 2000 Kg



- ▶ **Stainless Steel**
- ▶ **Temperature Compensated**
- ▶ **Rationalised Output**
- ▶ **High Accuracy**
- ▶ **Sealed to IP68**

 **TNC** *ELECTRONICS Ltd*
STRAIN MEASUREMENT TECHNOLOGY

Creating a pathway to your solution

TNC 4000

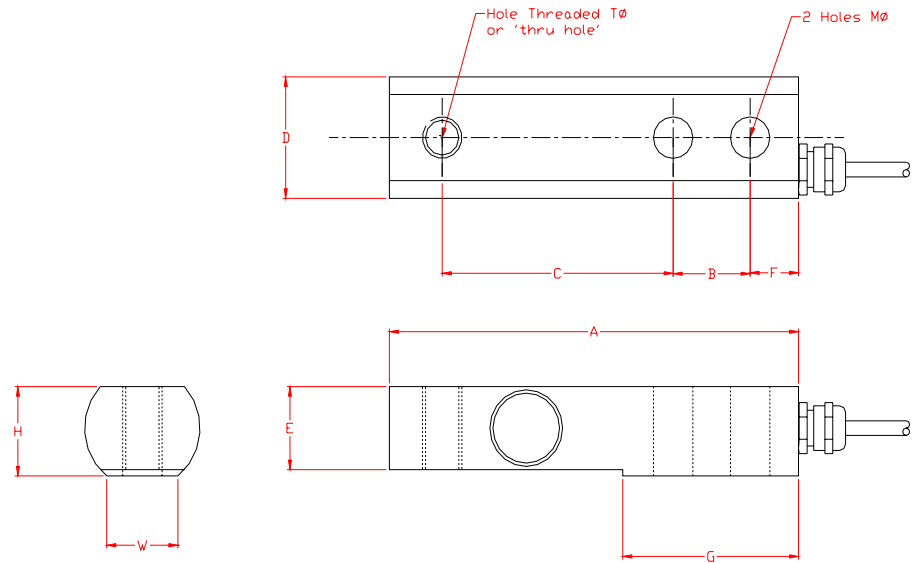
Technical Data

Standard load ranges	Kg	250,500,1000,2000 5000,10000
Full load output	mV/V	2.0 , (+/-0.25%)
Excitation voltage (recommended) dc or ac	V	10
Excitation voltage (maximum) dc or ac	V	18
Safe service load	%	150
Ultimate load	%	300
Combined error (non linearity and hysteresis)	%	+/- 0.04
Repeatability	%	+/- 0.015
Creep after 30 minutes (at 20 degrees C)	%	+/- 0.03
Output at zero load	%	<+/- 1.0
Input resistance	ohms	380 +/- 30
Output resistance	ohms	350 +/- 5
Operational temperature range	degrees C	- 20 to + 80
Compensated temperature range	degrees C	20 to + 75
Temperature coefficient of zero	%/degrees C	+/- 0.003
Temperature coefficient of span	%/degrees C	+/- 0.003
Environmental protection		IP 68
Insulation	G ohms	>2 at 100V dc
Construction	17-4Ph St/st	

Note: All percentages related to Full Rated Load

Electrical Connections

4 Core cable **Red Ex +ve** **Green Sig+ve**
Blue Ex -ve **Yellow Sig-ve**



Capacity Kg	A	B	C	D	E	F	G	H	W	MØ	TØ
250-2000	13 5	25.4	76.2	38.1	26	16	58.5	28	22	13	M12
5000	17 0	38	95.3	50.8	36	20	76	39	29	21	21
10,000	22 0	50.8	120.7	68	46	26	105	52	36	26	26

ALL DIMENSIONS IN mm

TNC's policy is one of continuous development and these specifications are subject to change without notice



STRAIN MEASUREMENT TECHNOLOGY

Creating a pathway to your solution

Unit C3 Acre Business Park, Acre Road, Berkshire RG2 0SA.

Telephone: 0118 9314107 Facsimile: 01189 9314971

www.tncelectronics.co.uk email: sales@tncelectronics.co.uk